



THE BENEFITS :

- High-intensity LEDs
- Choice of symbol and color
- Removable and adjustable brackets

Technical specifications

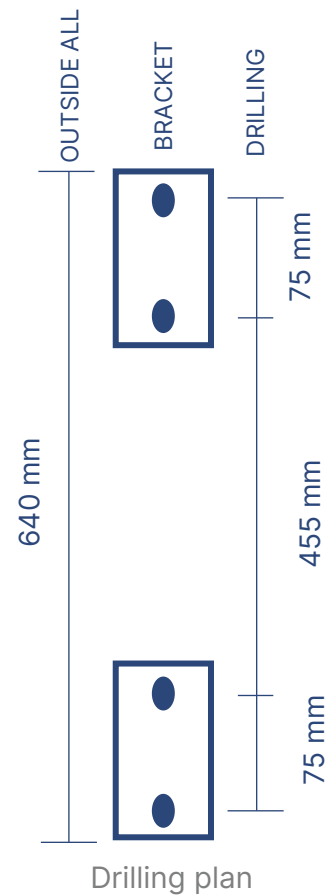
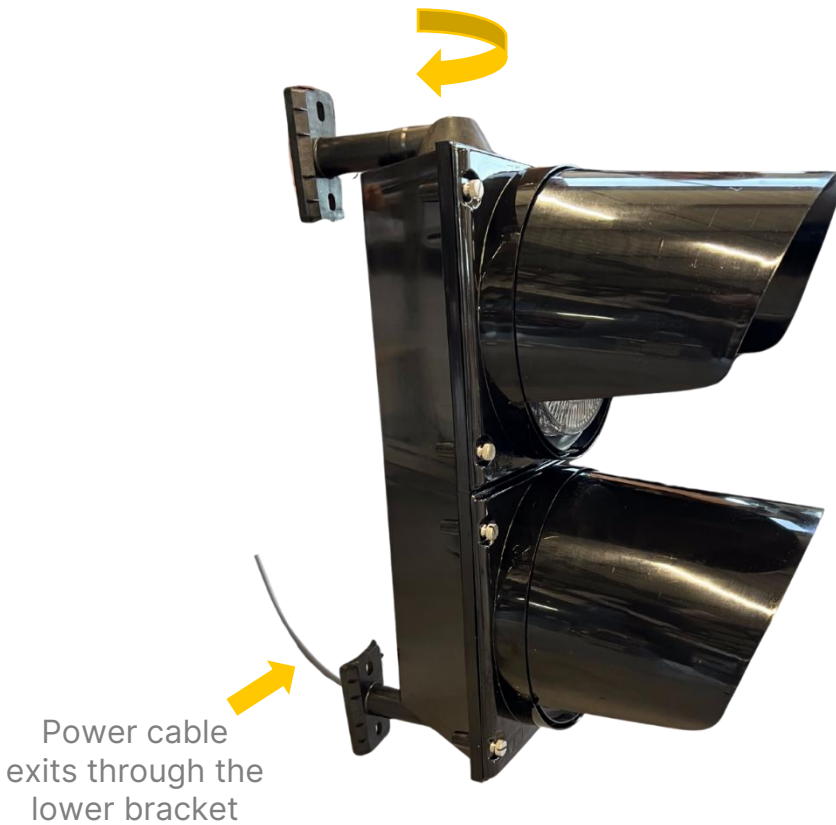
DIMENSIONS & WEIGHT	<ul style="list-style-type: none"> • Width : 250mm • Height : 485mm without brackets – 635mm with brackets • Thickness : 380mm • Diameter : 200mm
MATERIALS	<ul style="list-style-type: none"> • Polycarbonate housing, visor and brackets • Translucent polycarbonate lenses
POWER	<ul style="list-style-type: none"> • 12/24V or 230V
LIGHT SOURCE	<ul style="list-style-type: none"> • 2 high-intensity lights with the symbol T
MODES	<ul style="list-style-type: none"> • Steady or Flashing
FIXATION	<ul style="list-style-type: none"> • Mounting brackets included and adjustable with 4 holes • Outer mounting hole spacing: 610 mm • Inner mounting hole spacing: 460 mm
PROTECTION RATING	<ul style="list-style-type: none"> • IP55 (housing) / IP67 (light)

DIMENSIONS :



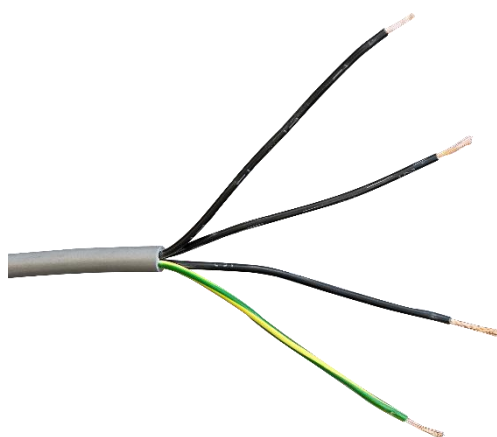
FIXATION :

Orientable brackets



WIRING :

ALIMENTATION 230V



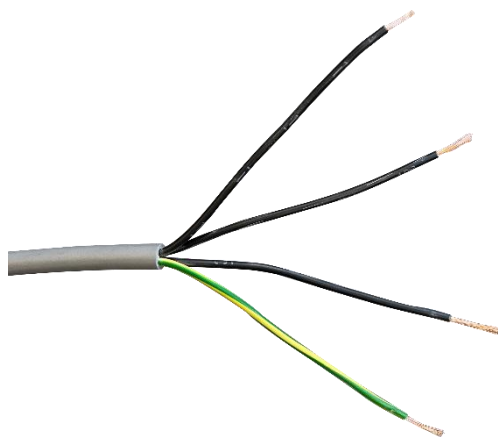
Black 1 = NEUTRAL

Black 2 = Red light

Black 3 = Green or Orange light

Green/Yellow = Earth

ALIMENTATION 12/24V



Black 1 = Ground (-)

Black 2 = 24V Red (+)

Black 3 = 24V Green or Orange (+)

Green/Yellow = Earth